



Installation instructions for PZ4AL-01952-00

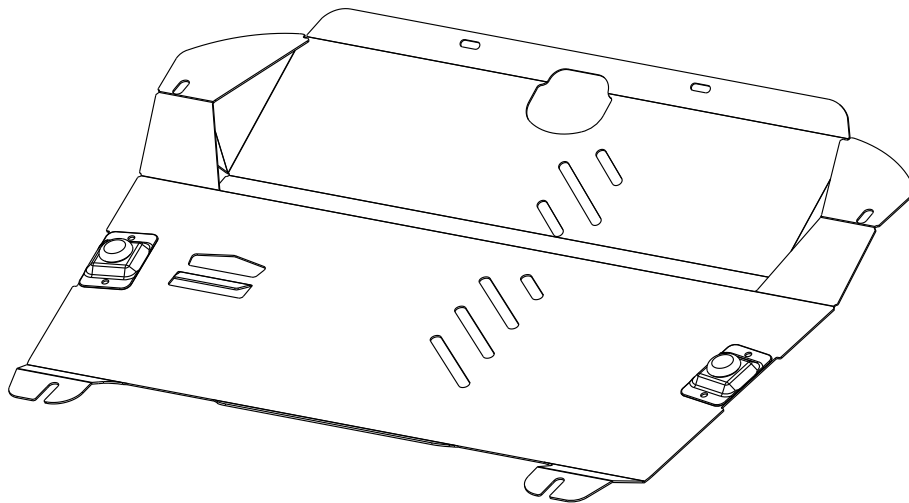
Lexus RX 270

Under Run Protective Shield engine bay and transmission case



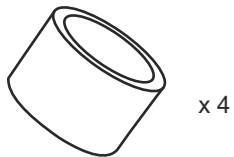
ModelYear:	2010
Vehicle Code:	AGL10L-AWTGKW
Part Number:	PZ4AL-01952-00
 Weight:	9,79 kg
 InstallationTime:	20 min

A



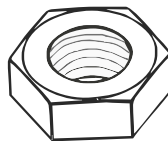
PZ4AL-01622-60

B



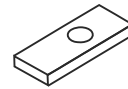
x4

C



x2

D



x2

E



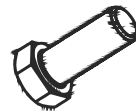
2 x M 6x30

F



2 x Ø 6

G

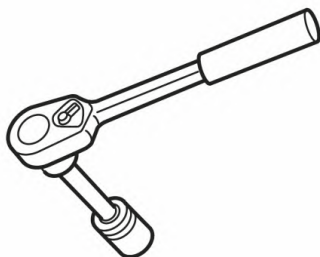


4 x M 10x90

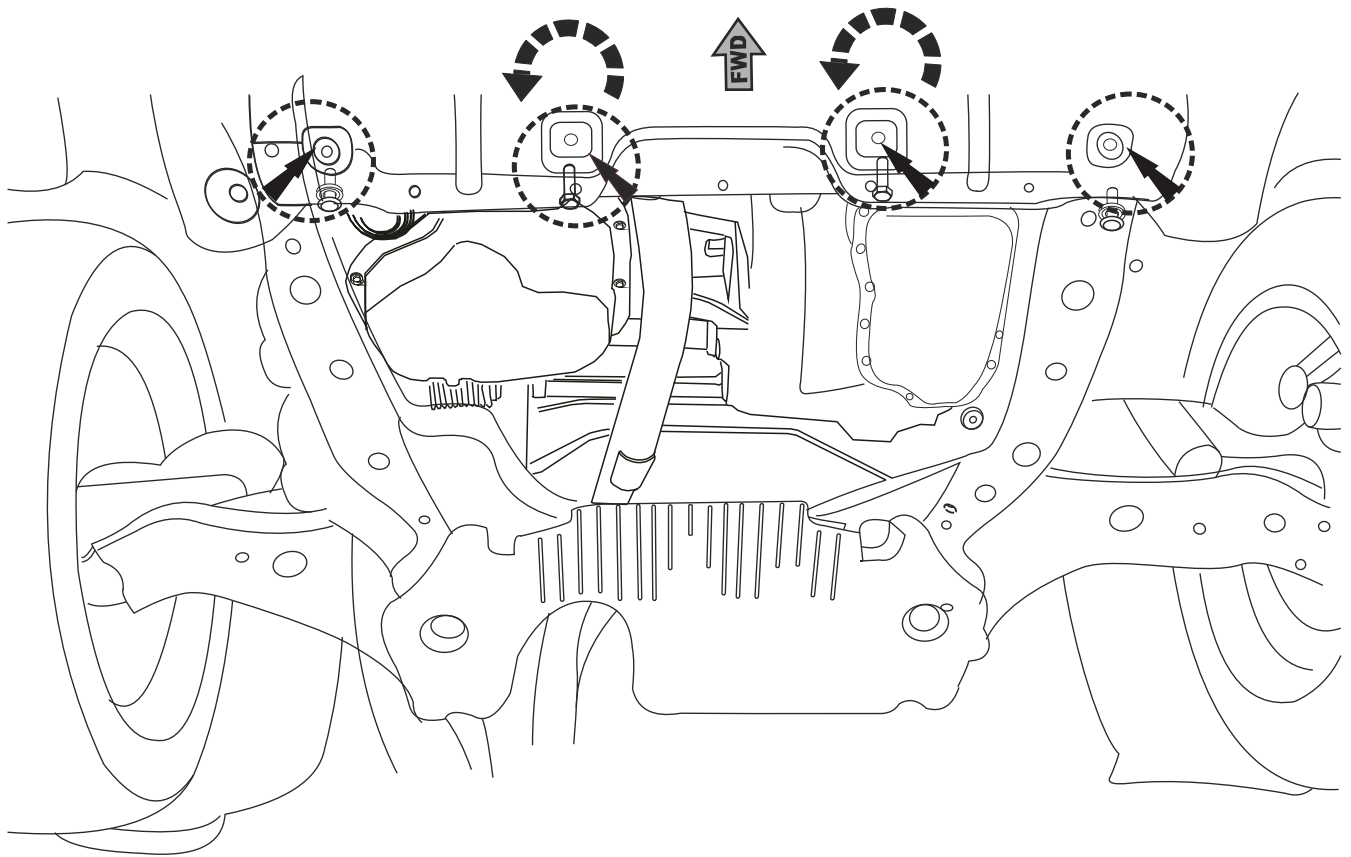
H



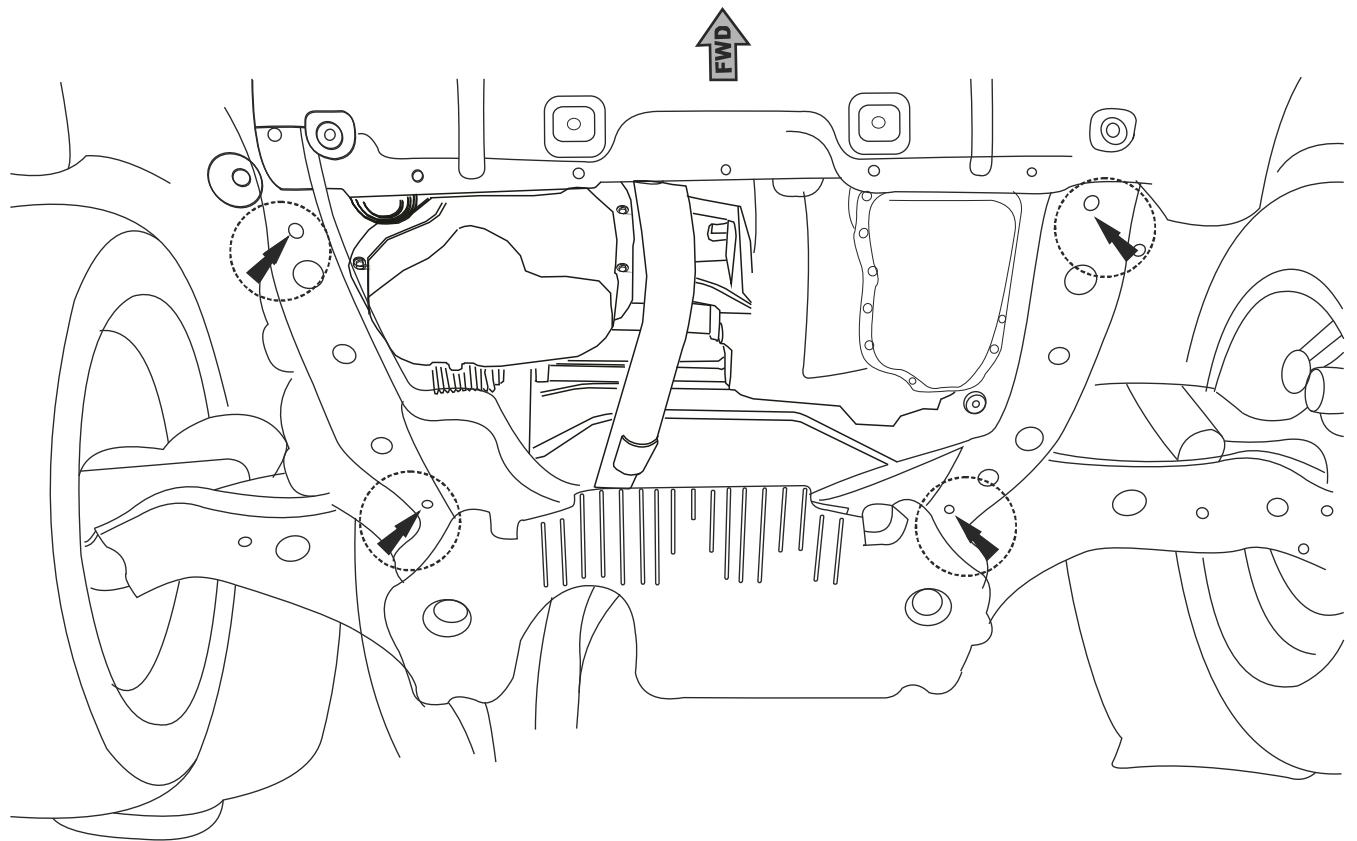
6 x Ø 10



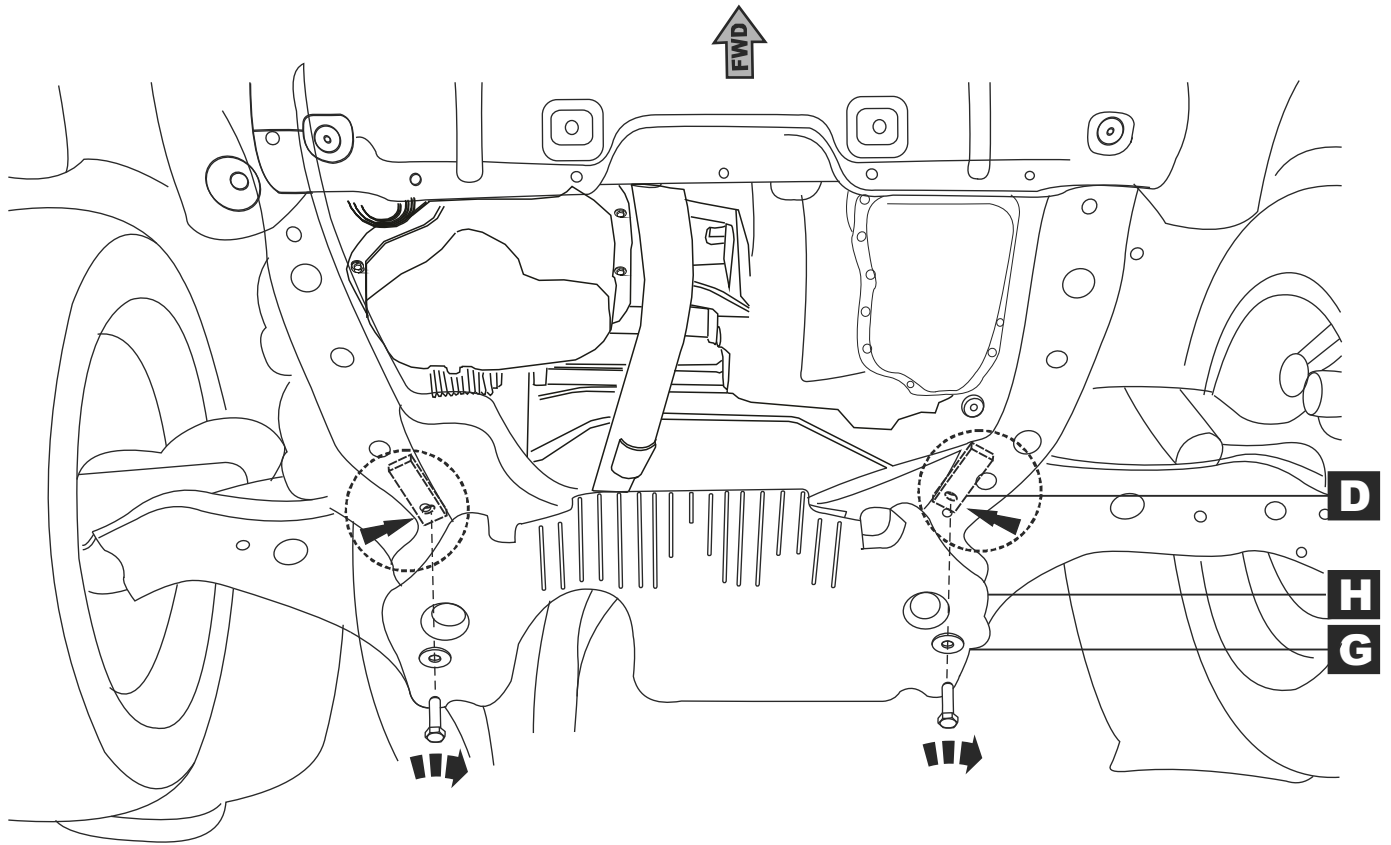
1



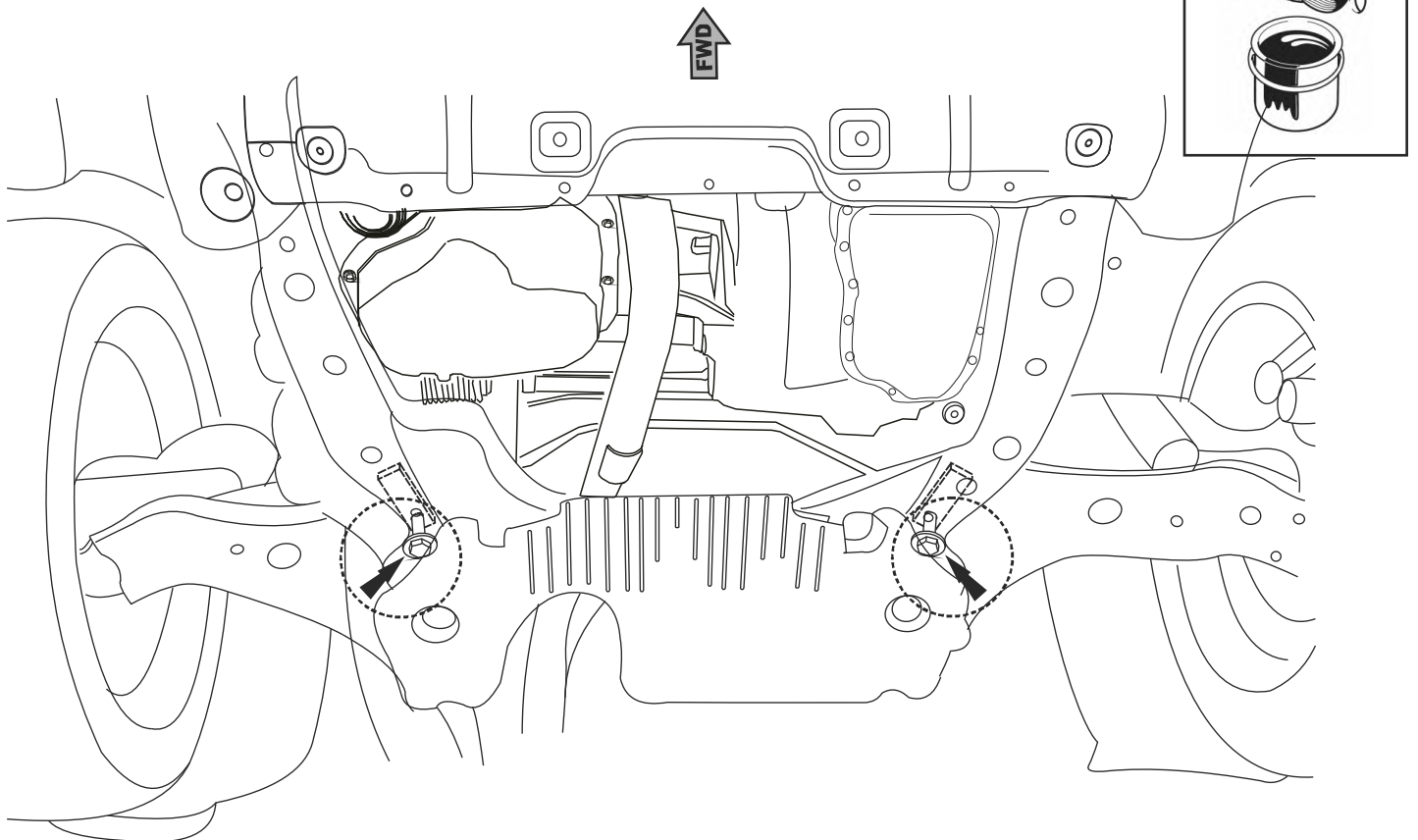
2



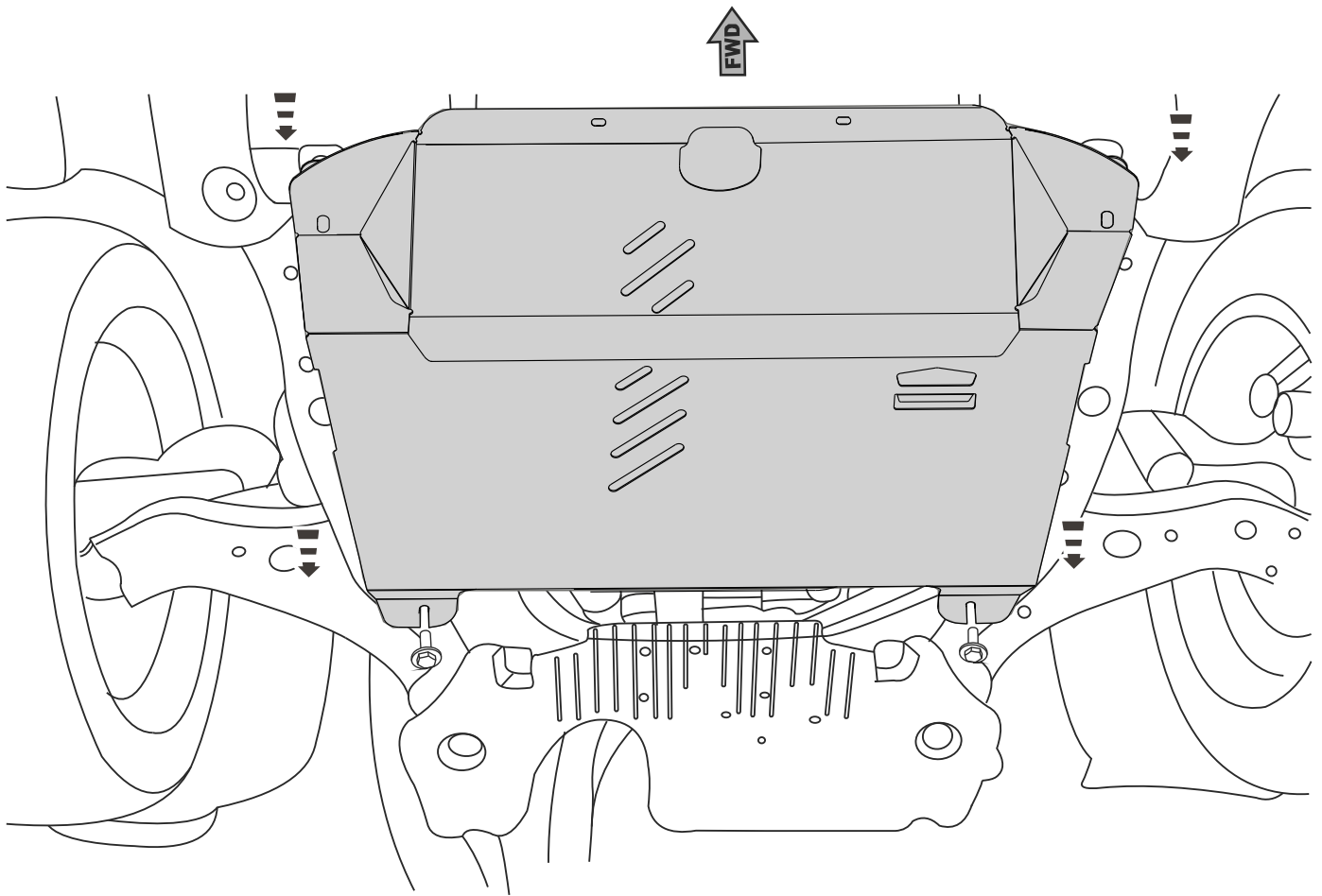
3



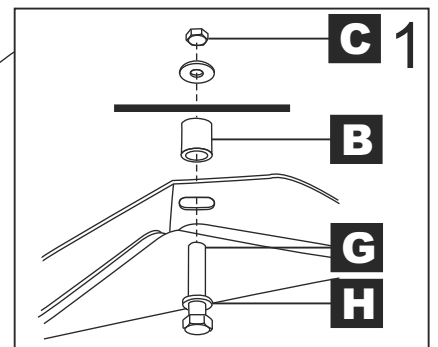
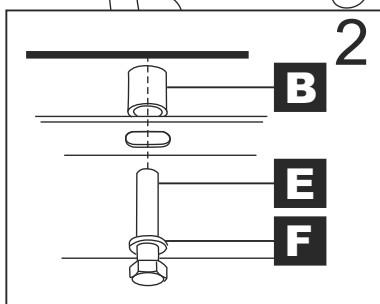
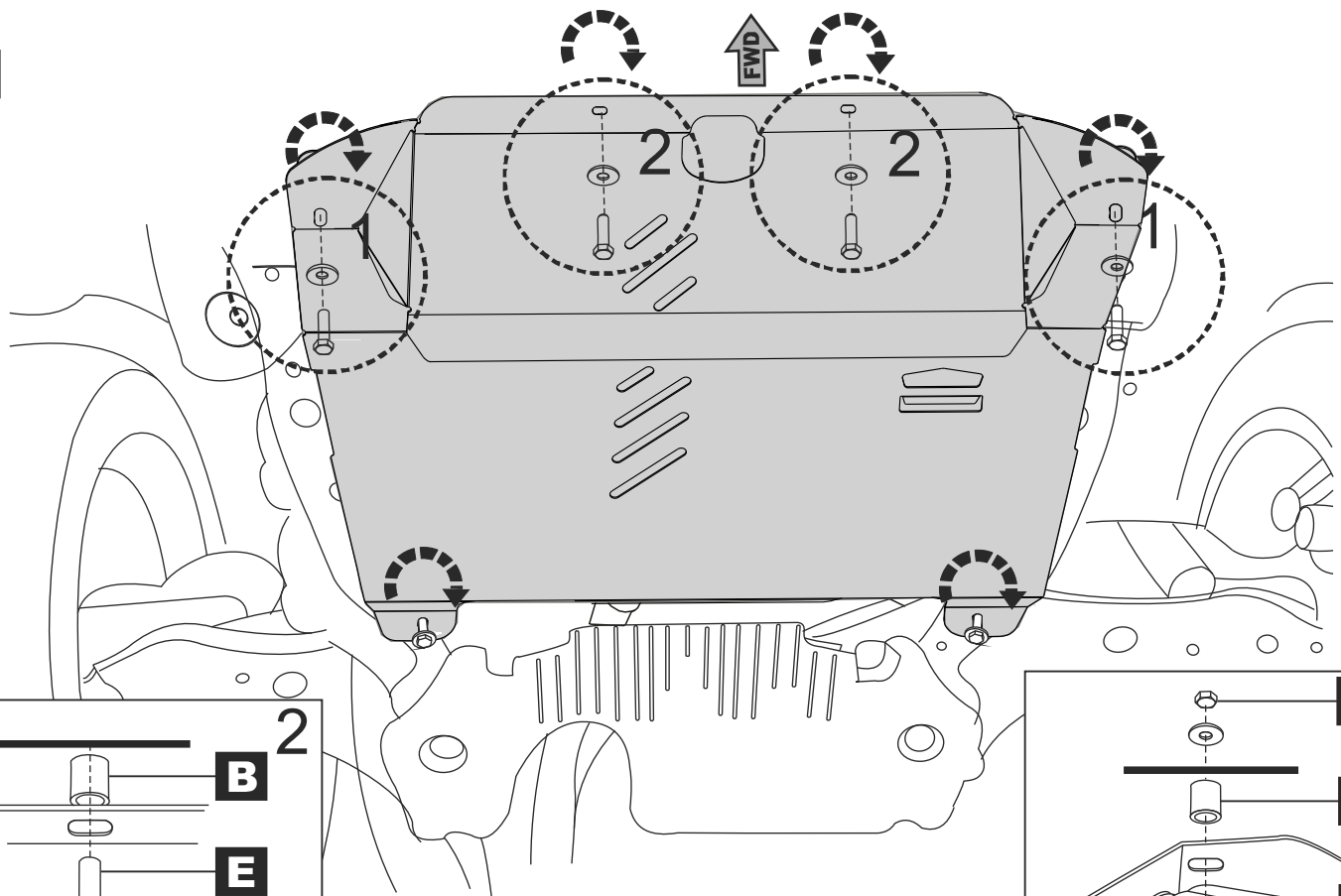
4



5



6



7

